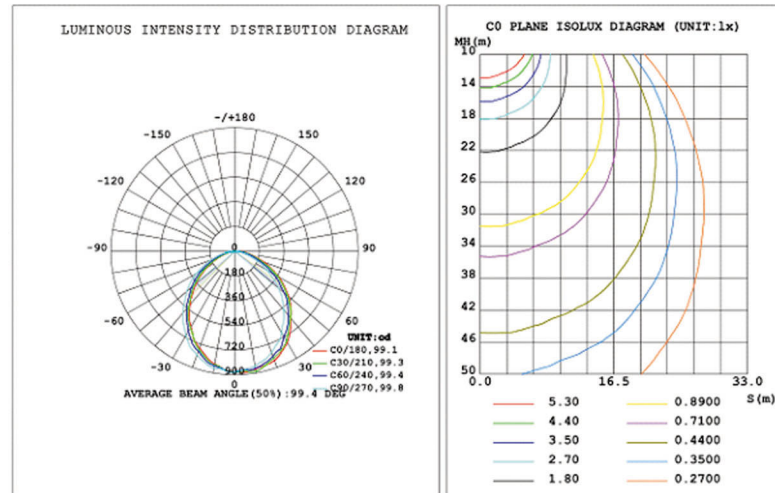


## SPECIFICATION

Item. No.	HX-P56-SMD3014-333
Input Voltage	AC12V
Output Current	680mA
Power	24Watt
LED Brand	Epistar
LED Type	SMD3014/2835
CRI	>80
Luminous Flu	2182LM
Color	Warm White 2700-3000K
Size	Ø178mmx114mm
Material	Thick Glass
IP Grade	IP68
Working Temperature	-40°C~40°C

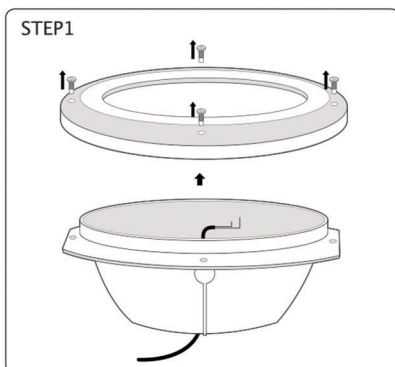


## INSTRUCTION

### How to install

#### STEP1

Take out the pool embedded parts, twist off the screws from the lid, and then take off the lid.

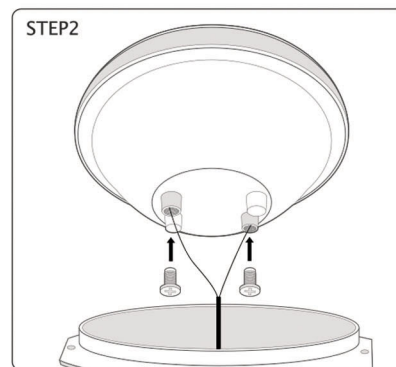


#### STEP3

Put the lamp into the embedded parts, and then cover the lid and tighten the screws.

#### STEP2

Connect the power output cable of the embedded parts with the terminals of the lamp, and then tighten the screws.



#### STEP4

Put back the embedded parts.

#### STEP3

