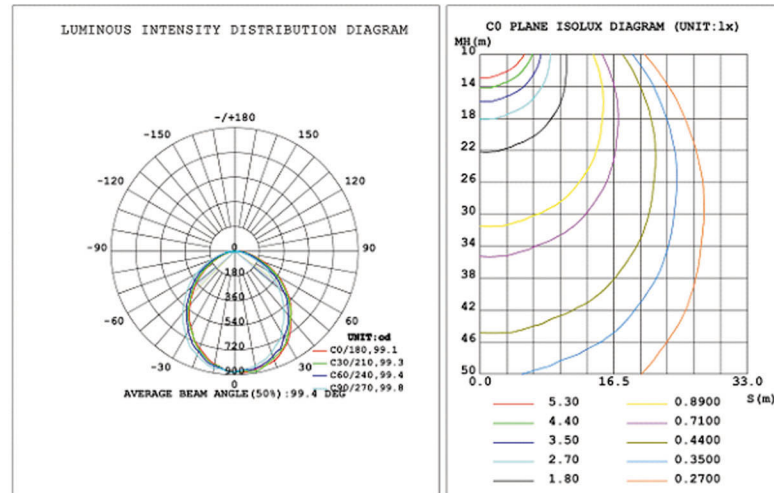


SPECIFICATION

Item. No.	HX-P56-SMD3014-441
Input Voltage	AC12V
Output Current	920mA
Power	35Watt
LED Brand	Epistar
LED Type	SMD3014/2835
CRI	>80
Luminous Flu	2626LM
Color	Warm White 2700-3000K
Size	Ø178mmx114mm
Material	Thick Glass
IP Grade	IP68
Working Temperature	-40°C~40°C

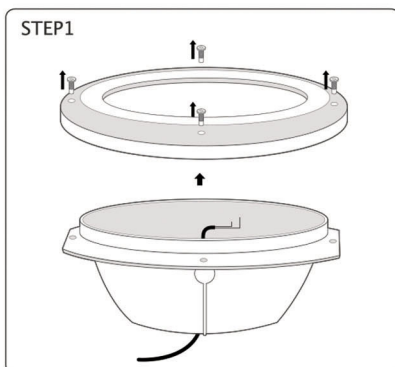


INSTRUCTION

How to install

STEP1

Take out the pool embedded parts, twist off the screws from the lid, and then take off the lid.

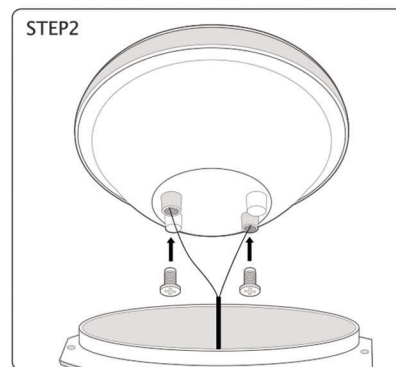


STEP3

Put the lamp into the embedded parts, and then cover the lid and tighten the screws.

STEP2

Connect the power output cable of the embedded parts with the terminals of the lamp, and then tighten the screws.



STEP4

Put back the embedded parts.

STEP3

